



|           |  |
|-----------|--|
| 40-440    | FL-RL-R-SEP, Red, combined flashing light & siren, 18..28V DC (85 mA at 24 VDC)            |
| 40-441    | FL-BL-V-SEP, Blue, combined flashing light & siren, 18..28V DC (85 mA at 24 VDC)           |
| 40-442    | FL-OL-V-SEP, Orange, combined flashing light & siren, 18..28V DC (85 mA at 24 VDC)         |
| 40-420    | SOCK-H-R-230 Socket for 230V AC  |
| 40-420-ND | Extra power supply for SOCK-H-R-230 (Used if flashing light and siren are used separately) |

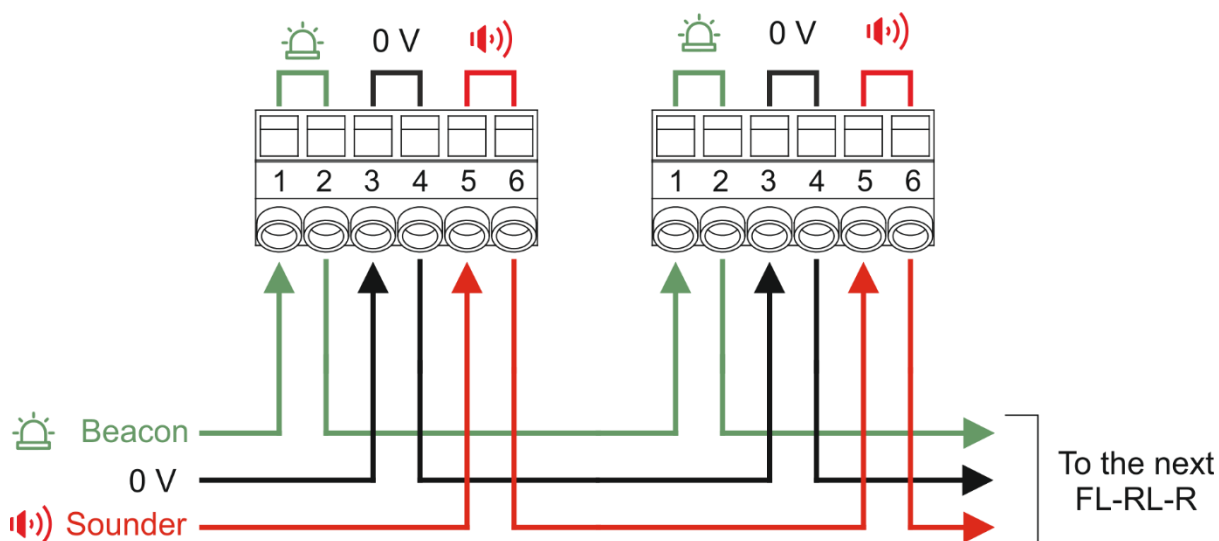
### Technical data

|                                     |  |
|-------------------------------------|--|
| <b>Nominal voltage:</b>             | 24 VDC (18..28 VDC)                        |
| <b>Current consumption:</b>         | 94 mA max (See Setup: index nr. 5)         |
| <b>Sound level:</b>                 | 104 dB(A) (See Setup: index nr. 7)         |
| <b>Cable area:</b>                  | 0,28 mm <sup>2</sup> ..2,5 mm <sup>2</sup> |
| <b>Operating temperature range:</b> | -10..55 °C                                 |
| <b>Housing material:</b>            | ABS V0                                     |
| <b>Ingress protection class:</b>    | IP65 (with standard high socket)           |

### Connection terminals

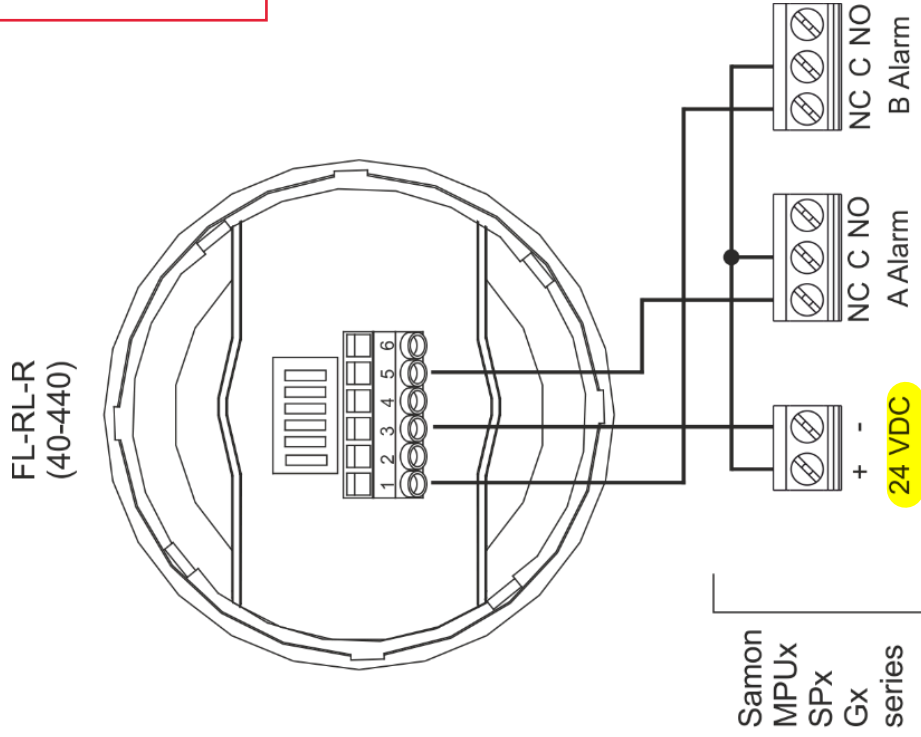
| Connector | Function | Direction | Note                                       |
|-----------|----------|-----------|--|
| 1         | Beacon   | In        | Terminals 1 and 2 are connected internally |
| 2         | Beacon   | Out       |  |
| 3         | Ground   | In        | Terminals 3 and 4 are connected internally |
| 4         | Ground   | Out       |  |
| 5         | Sounder  | In        | Terminals 5 and 6 are connected internally |
| 6         | Sounder  | Out       |  |

### Connection of multiple units

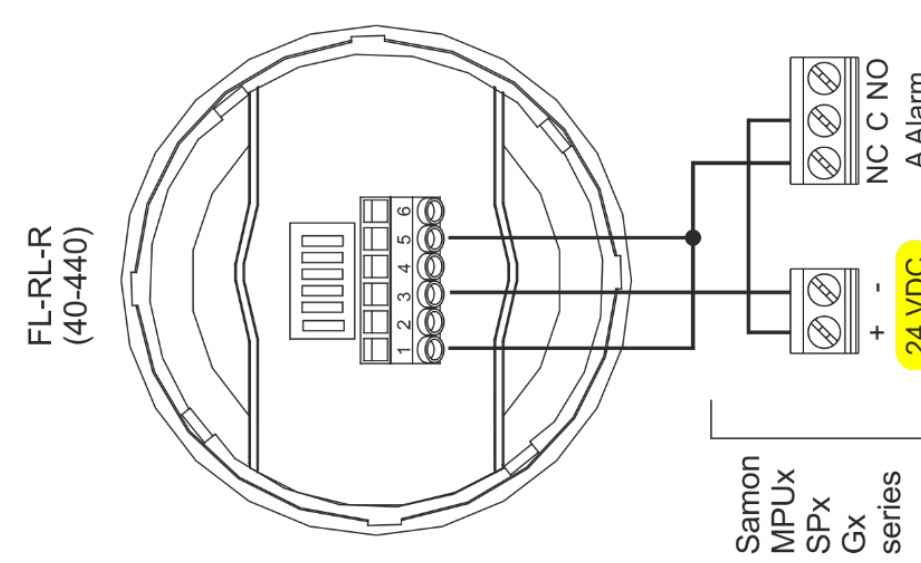


**Connection to Samon products**

Spannungsversorgung 24VDC

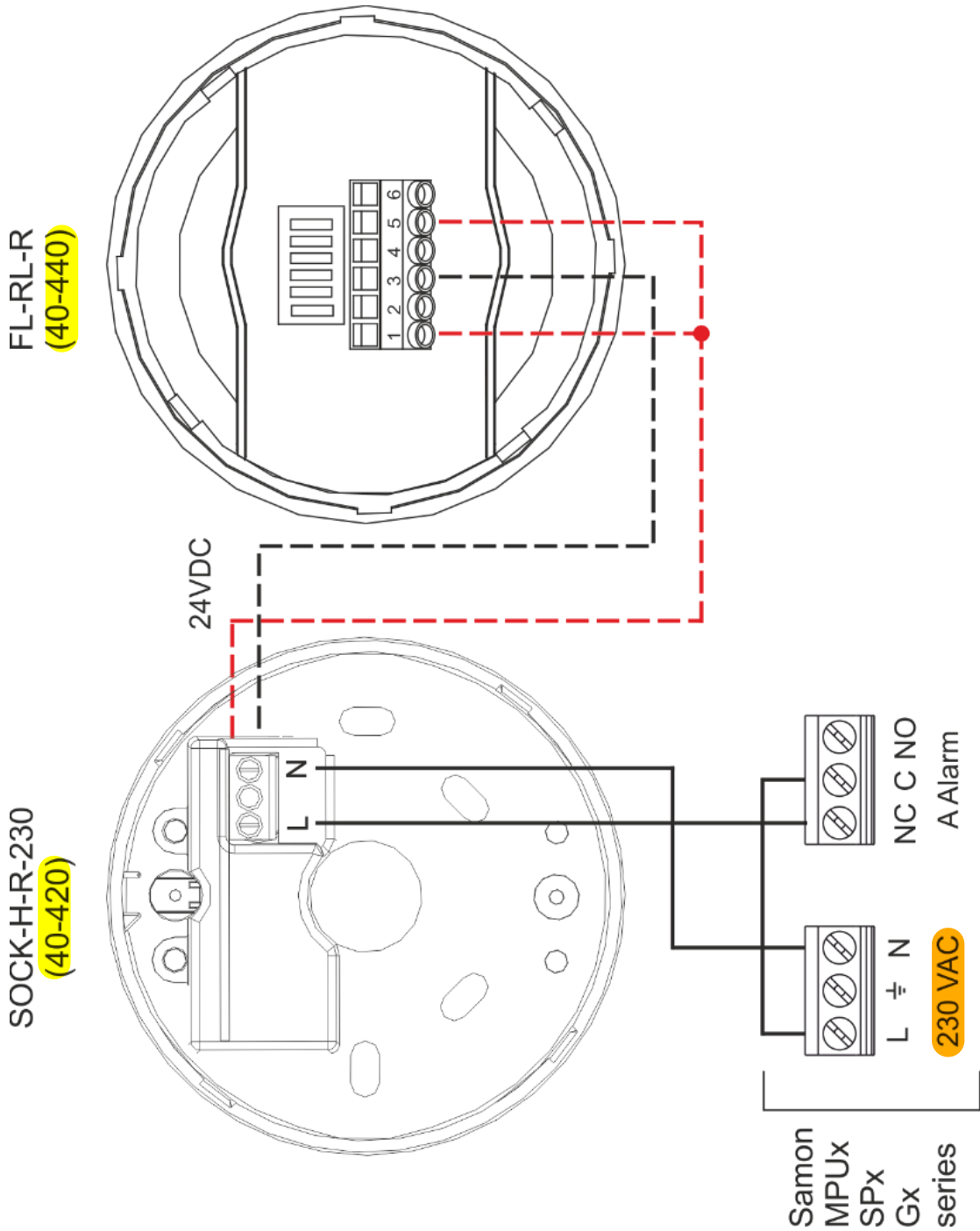


Beacon and sounder activated separately



Beacon and sounder activated at the same time

Spannungsversorgung 230V

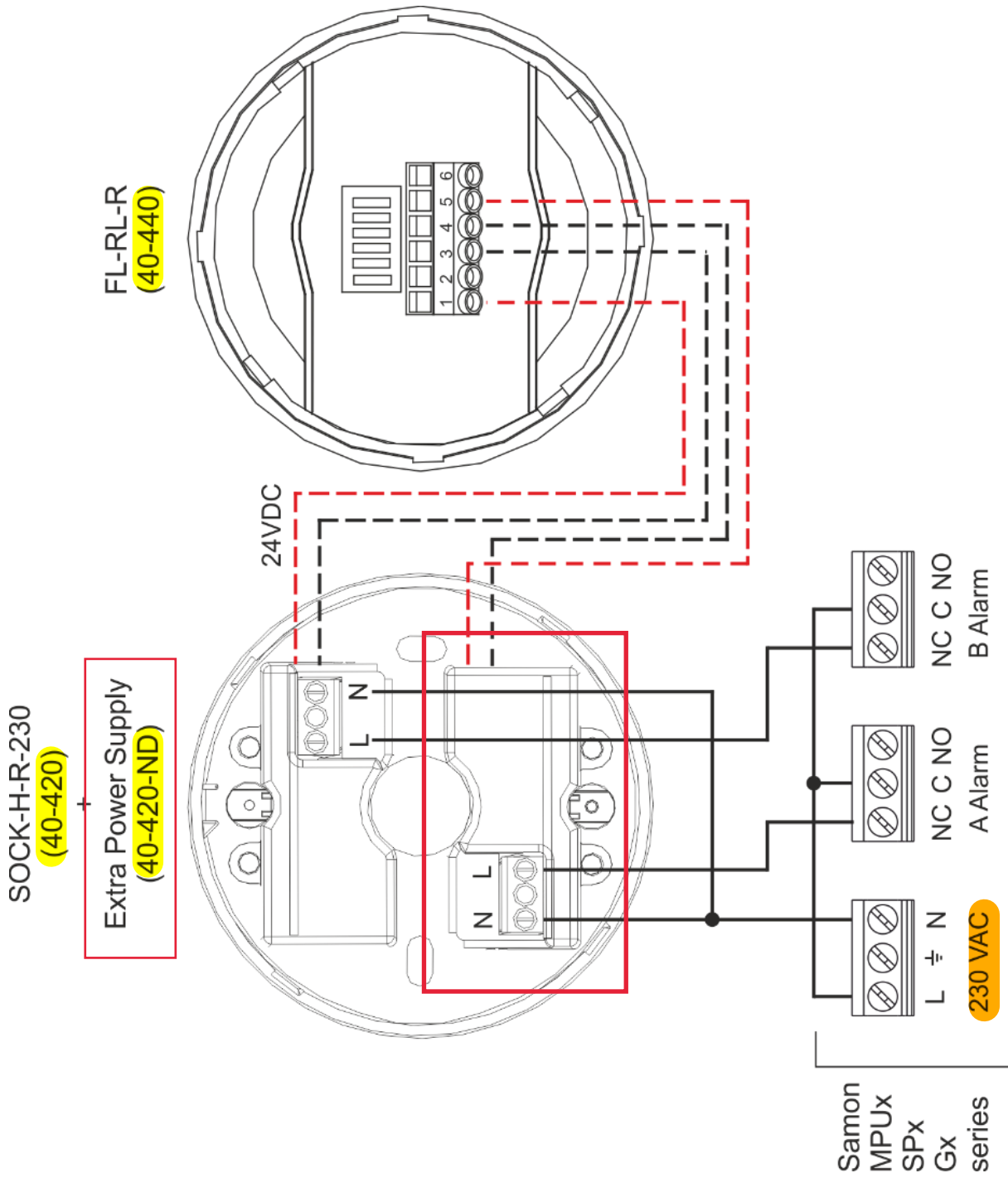


Beacon and siren activated at the **same time**

# FL-RL-R-SEP

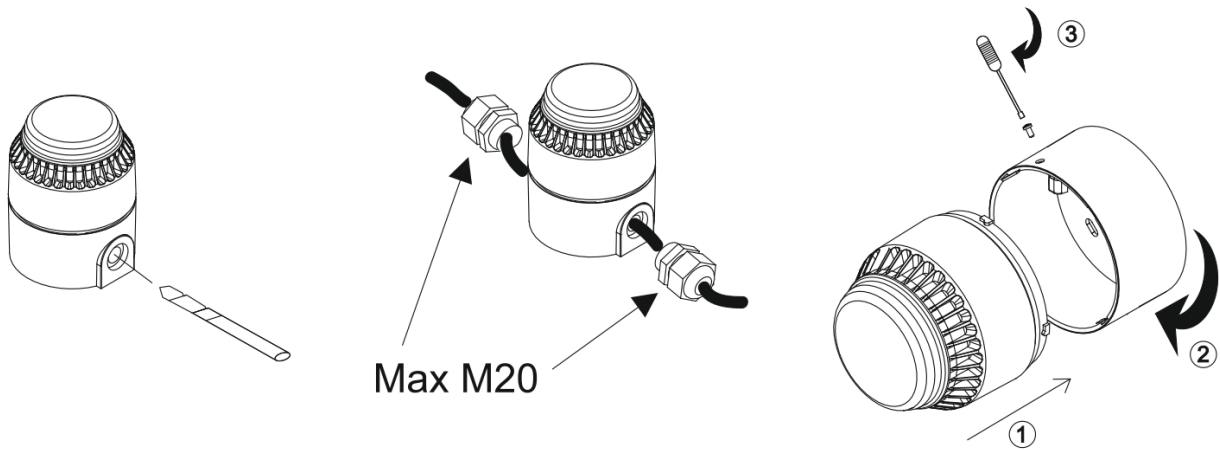
## Combined Flashing light and Siren

Spannungsversorgung 230V

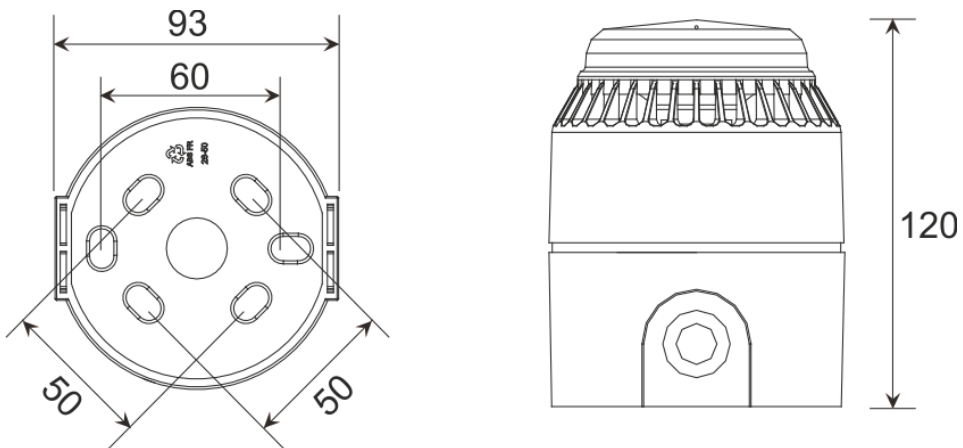


Beacon and siren activated separately

### Installation

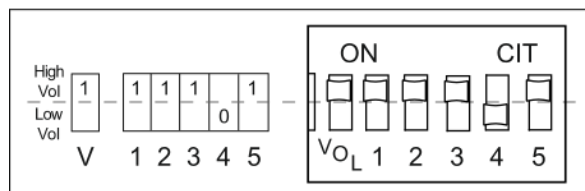


### Dimensions



### Setup - DIP switch positions

Example of Tone 3 setting



# FL-RL-R-SEP

## Combined Flashing light and Siren

| Index | Setup      |              | Sound        |   |                          | Main Application | 24V @ 20 °C |  |
|-------|------------|--------------|--------------|---|--------------------------|------------------|-------------|--|
|       | DIP Switch | Pattern      | Frequency Hz | Rate  | mA                       |                  | dB(A)       |  |
| 1     | 11111      | Alternating  | 800 & 970    | 2Hz (250ms-250ms)                                 | BS Fire                  | 86               | 92          |  |
| 2     | 11110      | Sweep        | 800 to 970   | 7Hz (7/s)   | BS Fire                  | 86               | 91          |  |
| 3     | 11101      | Sweep        | 800 to 970   | 1Hz (1/s)   | BS Fire                  | 86               | 93          |  |
| 4     | 11100      | Continuous   | 2850         | Steady  | General Purpose          | 93               | 95          |  |
| 5     | 11011      | Sweep        | 2400 to 2850 | 7Hz   | General Purpose          | 94               | 95          |  |
| 6     | 11010      | Sweep        | 2400 to 2850 | 1Hz   | General Purpose          | 92               | 101         |  |
| 7     | 11001      | Slow whoop   | 500 to 1200  | 3s sweep, 0.5 s silence, then repeat              | Dutch fire (NEN 2575)    | 84               | 104         |  |
| 8     | 11000      | Sweep (DIN)  | 1200 to 500  | 1Hz   | German fire (DIN 33 404) | 87               | 95          |  |
| 9     | 10111      | Alternating  | 2400 & 2850  | 2Hz (250ms-250ms)                                 | General Purpose          | 92               | 94          |  |
| 10    | 10110      | Intermittent | 970          | 0.5Hz (1s On/1s Off)                              | PFEER alert              | 85               | 95          |  |
| 11    | 10101      | Alternating  | 800 & 970    | 1Hz (500ms-500ms)                                 | BS Fire                  | 85               | 92          |  |
| 12    | 10100      | Intermittent | 2850         | 0.5Hz (1s On/1s Off)                              | General Purpose          | 88               | 92          |  |
| 13    | 10011      | Intermittent | 970          | 0.8Hz (250ms On/1s Off)                           | General Purpose          | 83               | 95          |  |
| 14    | 10010      | Continuous   | 970          | Steady  | PFEER toxic gas          | 85               | 91          |  |
| 15    | 10001      | Alternating  | 554 & 440    | 100ms-400ms                                       | French fire (NFS 32-001) | 87               | 92          |  |
| 16    | 10000      | Intermittent | 660          | 3.3Hz (150ms On/150msOff)                         | Swedish (Air Raid)       | 84               | 93          |  |
| 17    | 01111      | Intermittent | 660          | 0.28Hz(1.8s On/1.8s Off)                          | Swedish (Local warning)  | 84               | 92          |  |
| 18    | 01110      | Intermittent | 660          | 0.05Hz (13s Off / 6.5Hz On)                       | Swedish (Pre-mess)       | 85               | 93          |  |
| 19    | 01101      | Continuous   | 660          | Steady  | Swedish (All clear)      | 84               | 93          |  |
| 20    | 01100      | Alternating  | 554 & 440    | 0.5Hz (1s On/1s Off)                              | Swedish (Turn out)       | 86               | 93          |  |
| 21    | 01011      | Intermittent | 660          | 1Hz (500ms-500ms)                                 | Swedish general purpose  | 84               | 93          |  |
| 22    | 01010      | Intermittent | 2850         | 4Hz (150ms On/100ms Off)                          | Pelican crossing         | 90               | 94          |  |
| 23    | 01001      | Sweep        | 800 to 970   | 50Hz  | BS Fire                  | 85               | 92          |  |
| 24    | 01000      | Sweep        | 2400 to 2850 | 50Hz  | General Purpose          | 93               | 101         |  |
| 25    | 00111      | Intermittent | 970          | 3 x 500ms pulses, 1.5s silence, then repeat       | ISO 8201                 | 83               | 92          |  |
| 26    | 00110      | Intermittent | 800 to 970   | 3 x 500ms pulsed sweep, 1.5s silence, then repeat | ISO 8201                 | 84               | 94          |  |
| 27    | 00101      | Intermittent | 970 & 800    | 3 x 500ms pulsed sweep, 1.5s silence, then repeat | ISO 8201                 | 83               | 91          |  |
| 28    | 00100      | Alternating  | 800 & 970    | 2Hz (250ms-250ms)                                 | BS Fire                  | 86               | 91          |  |
| 29    | 00011      | Alternating  | 990 & 650    | 2Hz (250ms-250ms) (Symphoni tones)                | BS Fire                  | 87               | 95          |  |
| 30    | 00010      | Alternating  | 510 & 610    | 2Hz (250ms-250ms) (Squashni Micro tones)          | BS Fire                  | 86               | 91          |  |
| 31    | 00001      | Sweep        | 300 to 1200  | 1Hz   | General Purpose          | 87               | 95          |  |
| 32    | 00000      | Alternating  | 510 & 610    | 1Hz (500ms-500ms)                                 | BS Fire                  | 86               | 92          |  |