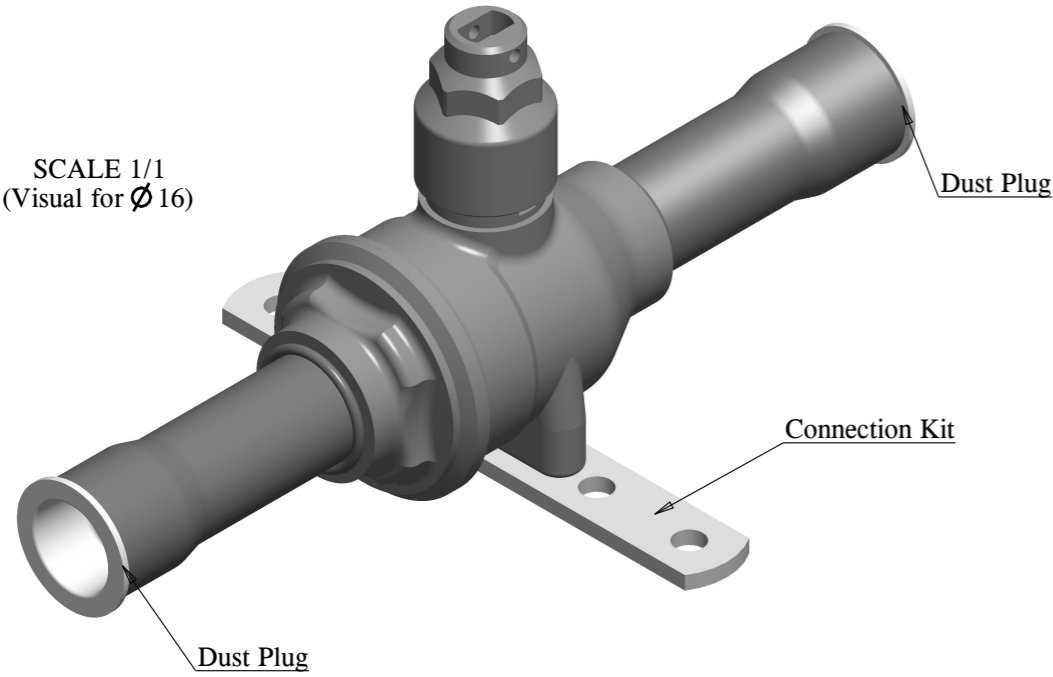


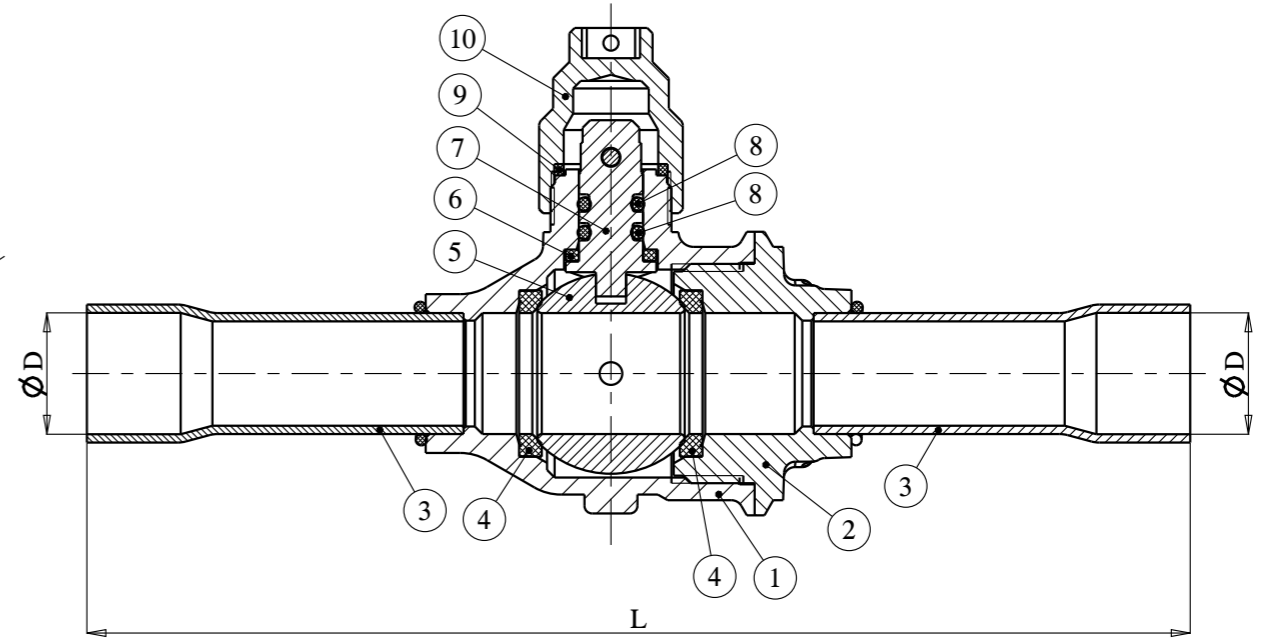
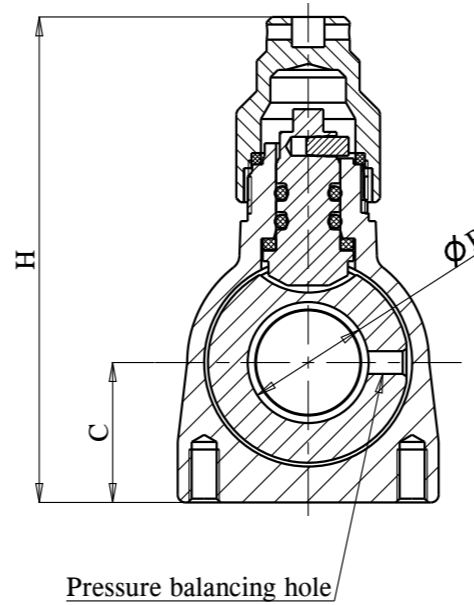
ÖNEMLİ: Bu teknik resim Valf Group A.S.'ye aittir ve diğer amaçlar için değiştirilmemelidir. Bu teknik resim izniniz olmaksızın başka bir şekilde kullanılmamalıdır. Valf'in izni olmaksızın bu resim çoğaltılamaz veya başka bir şekilde yayımlanamaz.  
 IMPORTANT: This document is the property of Valf A.S. and is not to be reproduced, modified or used for other purposes without our permission.  
 Valf A.S.

DIN 3141 ISO DIN 1302		$\sqrt{R_z}$
		$\sqrt{R_z}$
		$\sqrt{R_z}$
		$\sqrt{R_z}$
		$\sqrt{R_z}$

SCALE 1/1  
(Visual for  $\varnothing 16$ )



Metric Series			Inch Series			Dimensions				Kv (m <sup>3</sup> /h)
Nominal Diameter	Item Code	$\varnothing D$	Nominal Diameter	Item Code	$\varnothing D$	L	H	C	$\varnothing B$	
$\varnothing 6$	601017656	$\varnothing 6.12^{+0.1}$	1/4"	601017672	$\varnothing 6.46^{+0.1}$	126	51	13	$10^{+0.2}$	1.6
$\varnothing 8 - 5/16"$	601017657	$\varnothing 8.12^{+0.1}$		601017657		132	51	13	$10^{+0.2}$	4.2
$\varnothing 10$	601017658	$\varnothing 10.12^{+0.1}$	3/8"	601017673	$\varnothing 9.65^{+0.1}$	132	51	13	$10^{+0.2}$	5.3
$\varnothing 12$	601017659	$\varnothing 12.12^{+0.1}$	1/2"	601017674	$\varnothing 12.85^{+0.1}$	140	51	13	$10^{+0.2}$	6.6
$\varnothing 15$	601017660	$\varnothing 15.15^{+0.1}$				146	64	18.5	$16^{+0.2}$	13
$\varnothing 16 - 5/8"$	601017661	$\varnothing 16.05^{+0.1}$				146	64	18.5	$16^{+0.2}$	13
$\varnothing 18$	601017662	$\varnothing 18.15^{+0.1}$	3/4"	601017675	$\varnothing 19.2^{+0.12}$	146	64	18.5	$16^{+0.2}$	17
$\varnothing 22$	601017663	$\varnothing 22.15^{+0.12}$	7/8"	601017676	$\varnothing 22.35^{+0.12}$	185	74	22	$20^{+0.2}$	26
$\varnothing 28$	601017664	$\varnothing 28.15^{+0.12}$	1 1/8"	601017677	$\varnothing 28.75^{+0.12}$	205	80	26	$25^{+0.2}$	41
$\varnothing 35 - 1 3/8"$	601017665	$\varnothing 35.09^{+0.14}$				208	100	32	$32^{+0.2}$	86
$\varnothing 42$	601017666	$\varnothing 42.15^{+0.15}$	1 5/8"	601017678	$\varnothing 41.45^{+0.15}$	242	117	38.5	$38^{+0.2}$	110
$\varnothing 54 - 2 1/8"$	601017667	$\varnothing 54.2^{+0.15}$				273	134	48.5	$50^{+0.2}$	208
$\varnothing 64 (\varnothing 54)$	601017668	$\varnothing 64.2^{+0.15}$	2 5/8"	601017679	$\varnothing 66.9^{+0.15}$	280	134	48.5	$50^{+0.2}$	208
$\varnothing 64 (\varnothing 76)$	601017263	$\varnothing 64.2^{+0.15}$	2 5/8"	601017275	$\varnothing 66.9^{+0.15}$	378.5	184	66.5	$68.8^{+0.3}$	340
$\varnothing 76$	601017264	$\varnothing 76.3^{+0.15}$	3 1/8"	601017276	$\varnothing 79.65^{+0.15}$	378.5	184	66.5	$76.3^{+0.3}$	340
$\varnothing 89$	601017265	$\varnothing 89.25^{+0.2}$	3 5/8"	601017277	$\varnothing 92.45^{+0.2}$	423	215	81.5	$97.25^{+0.3}$	480
$\varnothing 108$	601017266	$\varnothing 108.35^{+0.2}$	4 1/8"	601017278	$\varnothing 105.2^{+0.2}$	423	215	81.5	$118.75^{+0.3}$	470



Item	Part Name	Material
1	Body	Brass CuZn40Pb2
2	Cover	Brass CuZn40Pb2
3	Copper Tube	R250 Half Hard Copper
4	Sealing Element	PTFE (%25 Carbon Filled)
5	Ball	Brass CuZn40Pb2
6	Spindle Gasket	PTFE
7	Spindle	Stainless Steel AISI 303
8	O-ring	Neoprene
9	Upper Cover Gasket	POM
10	Upper Cover	Brass CuZn40Pb2

Nominal Pressure: 45 bar  
 Operating Temperature: -40°C ... +150°C  
 Medium: CFC, HFC and HCFC  
 Directive: PED 2014/68/EU

NOMINAL DIMENSIONS	0.5-6	6-30	30-120	120-400	C			
TOLERANCES	$\pm 0.1$	$\pm 0.2$	$\pm 0.3$	$\pm 0.5$	B			
FREE DIMENSION TOLERANCES					Letter	Modifications	Date	Name
Angle Tolerances		Name		Date	Material:			
...-10mm	$\pm 1^\circ$	Designer	C.GURPINAR	23.12.20	CFC Series Without Charging Unit			
10-50mm	$\pm 30'$	Approval	E.IYIM					
50-120mm	$\pm 20'$	Scale						
120-400mm	$\pm 10'$	Prod. Name:						
DWG. NO	M3	1/1	Refrigerant Ball Valves Optimized Series					

**Freddox**