

Installation Guide

# Check valves

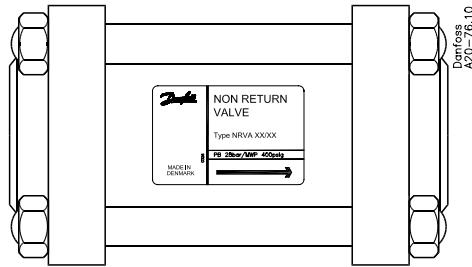
## NRVA



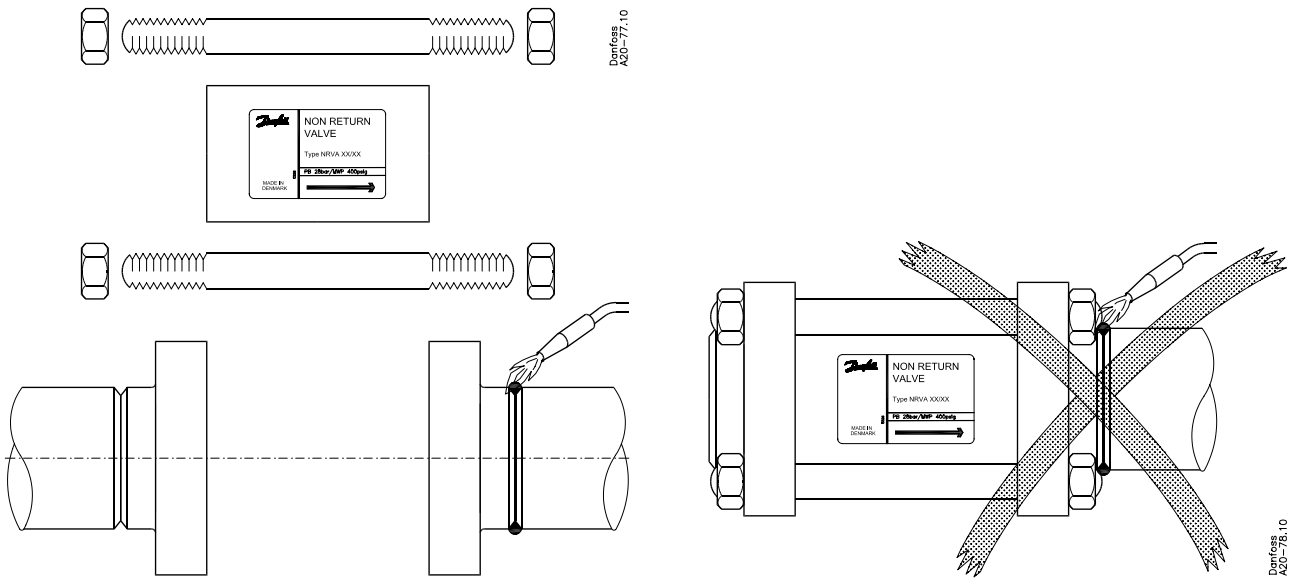
027R9531

027R9531

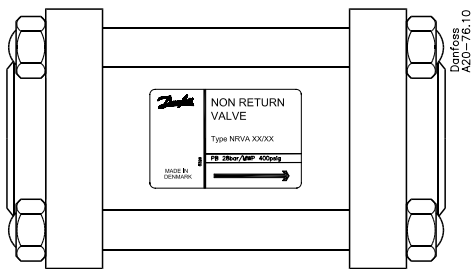
1



2



3



Type	Bolt	Nm	LB-Feet
NRVA 15-20	2 × M12	50	37
NRVA 25-32	4 × M12	70	52
NRVA 40-50	4 × M12	70	52
NRVA 65	8 × M16	100	74

Імпортер: ТОВ з іі "Данфосс ТОВ" 04080, Київ 80, п/с 168, Україна

Info for UK customers only : Danfoss Ltd., 22 Wycombe End, HP9 1NB, GB

## ENGLISH

### Installation

#### Refrigerants

Applicable to HCFC, HFC and R717 (Ammonia).

Flammable hydrocarbons are not recommended. The valve is only recommended for use in closed circuits. For further information please contact Danfoss.

#### Temperature range

NRVA: -50/+140°C (-58/+285°F)

#### Pressure range

NRVA: The valves are designed for a max. working pressure of 40 bar g (580 psi g).

#### Installation

The valve must be installed in the flow direction as indicated by the arrow on the valve housing (fig. 1).

The valve is designed to withstand a high internal pressure. However, the piping system should be designed to avoid liquid traps and reduce the risk of hydraulic pressure caused by thermal expansion. It must be ensured that the valve is protected from pressure transients like "liquid hammer" in the system.

#### Welding

The internal parts should be removed before welding (fig. 2) to prevent damage to the gaskets, as well as the teflon gasket in the valve seat.

Only materials and welding methods, compatible with the flange material, must be welded to the flanges. The flanges should be cleaned internally to remove welding debris on completion of welding and before the valve is reassembled.

Be careful not to damage the teflon on the cone.

The valve inclusive flanges must be free from stresses (external loads) after installation.

The valves must not be mounted in systems where the outlet side of the valve is open to atmosphere. Both the inlet and outlet side of the valve must always be connected to the system or properly capped off, for example with a welded-on end plate.

#### Assembly

Remove welding debris and any dirt from pipes and valve body before assembly.

#### Tightening

Tighten the staybolts and nut with a torque wrench, to the values indicated in the table (fig. 3).

#### Surface protection

The external surface of the flanges must be prevented against corrosion with a suitable protective coating after installation and assembly.

### Maintenance

#### Dismantling the valve

Do not remove the valve housing while the valve is still under pressure.

- Check that the gasket has not been damaged.
- Check that the cone is free of scratches and impact marks.
- If the teflon cone ring has been damaged, the whole cone assembly must be replaced.

#### Assembly

Remove any dirt from the body before the valve is assembled.

#### Tightening

Tighten the staybolts and nut with a torque wrench, to the values indicated in the table (fig. 3).

Use only original Danfoss parts, including gaskets for replacement. Materials of new parts are certified for the relevant refrigerant.

In cases of doubt, please contact Danfoss. Danfoss accepts no responsibility for errors and omissions. Danfoss Industrial Refrigeration reserves the right to make changes to products and specifications without prior notice.

### Danfoss A/S

Climate Solutions • danfoss.com • +45 7488 2222

Any information, including, but not limited to information on selection of product, its application or use, product design, weight, dimensions, capacity or any other technical data in product manuals, catalogues descriptions, advertisements, etc. and whether made available in writing, orally, electronically, online or via download, shall be considered informative, and is only binding if and to the extent, explicit reference is made in a quotation or order confirmation. Danfoss cannot accept any responsibility for possible errors in catalogues, brochures, videos and other material. Danfoss reserves the right to alter its products without notice. This also applies to products ordered but not delivered provided that such alterations can be made without changes to form, fit or function of the product.

All trademarks in this material are property of Danfoss A/S or Danfoss group companies. Danfoss and the Danfoss logo are trademarks of Danfoss A/S. All rights reserved.