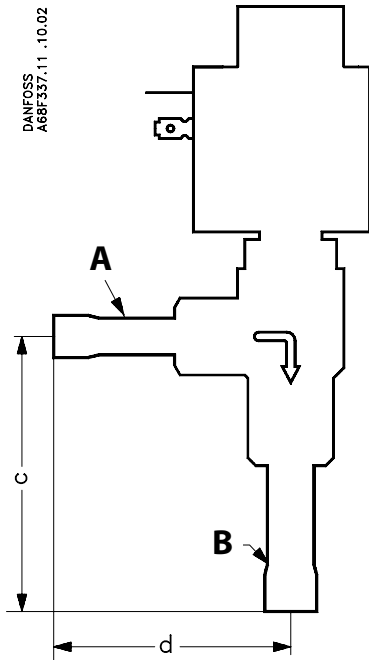


Installation Guide

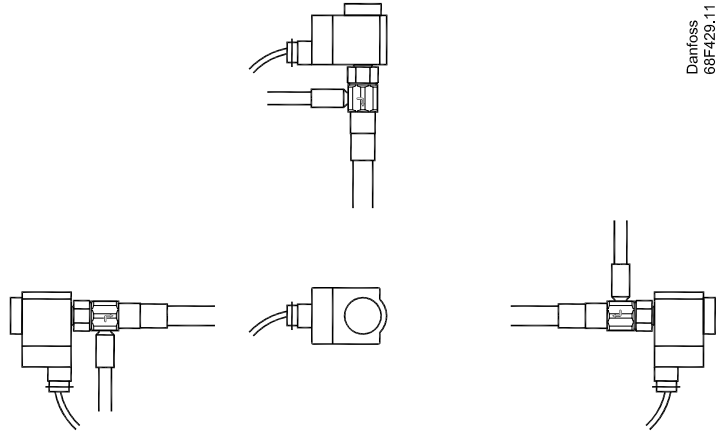
Electrically Operated Expansion Valve Types AKVH 10-n (n= 0 – 6)

068R9820



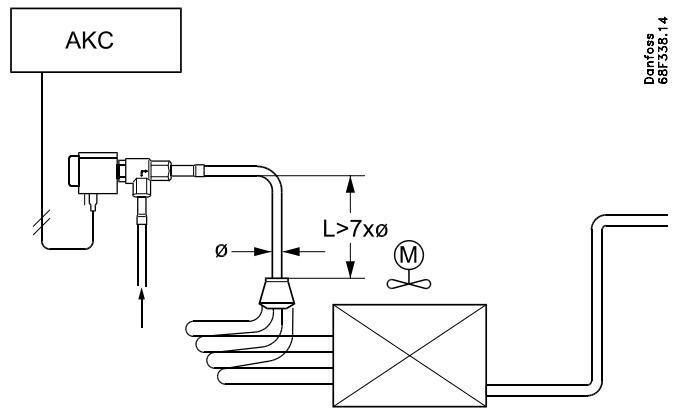
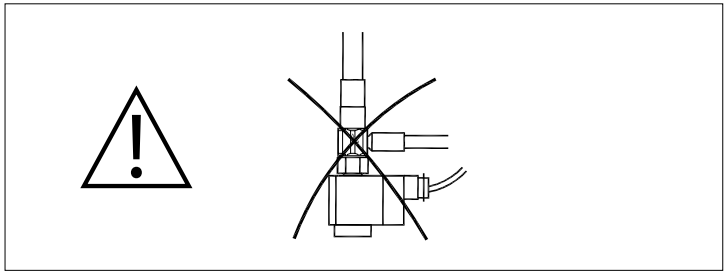
A	(en-gb) In solder	$\frac{3}{8}$ in. (10 mm)
	(da) Ind lodde	
	(de) Eintritt / Löt	
	(fr) Raccord d'entrée à braser	
	(es) Conector de Entrada	
B	(en-gb) Out solder	$\frac{1}{2}$ in. (12 mm)
	(da) Ud lodde	
	(de) Austritt / Löt	
	(fr) Raccord de sortie à braser	
	(es) Conector de Salida	

AKVH 10 -	AKVH 10-0, AKVH 10-1, AKVH 10-2, AKVH 10-3, AKVH 10-4, AKVH 10-5, AKVH 10-6
c	75
d	67

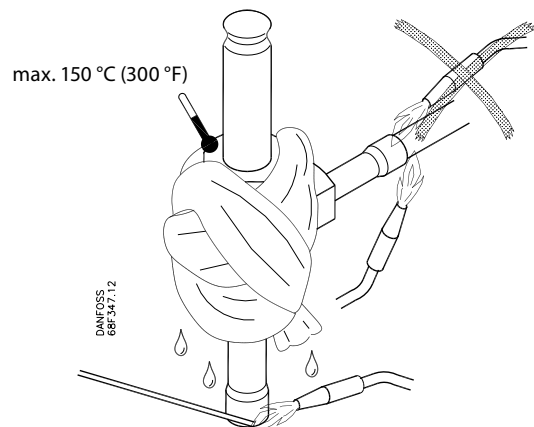


Danfoss
68F429.11

068R9820



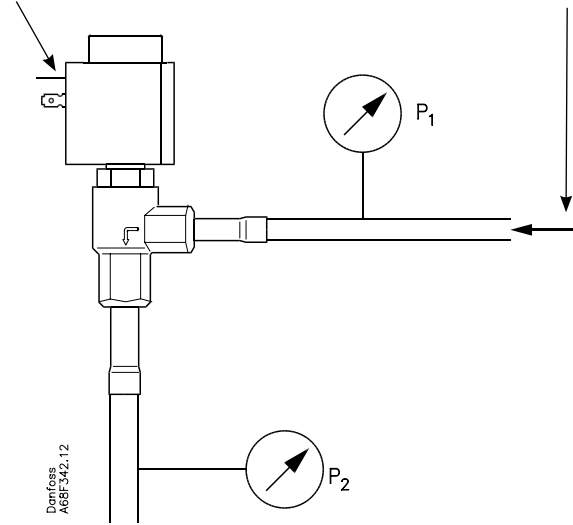
Danfoss
68F338.14



DANFOSS
68F347.12

Ambient temperature range:
 $-50\text{ }^{\circ}\text{C} < t_{\text{amb}} < 50\text{ }^{\circ}\text{C}$
 $-58\text{ }^{\circ}\text{F} < t_{\text{amb}} < 120\text{ }^{\circ}\text{F}$

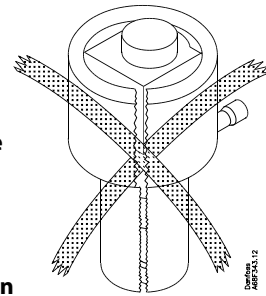
Media temperature range
 $-50\text{ }^{\circ}\text{C} < t_{\text{media}} < 60\text{ }^{\circ}\text{C}$
 $-58\text{ }^{\circ}\text{F} < t_{\text{media}} < 140\text{ }^{\circ}\text{F}$



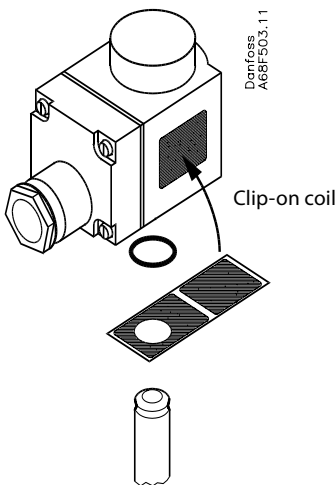
Note: If operated consistently at or near MOPD, the service interval will decrease.



(en-gb) Do not insulate
 (da) Må ikke isoleres
 (de) Nicht isolieren
 (fr) Ne pas isoler
 (es) No encerrar para evitar condensación

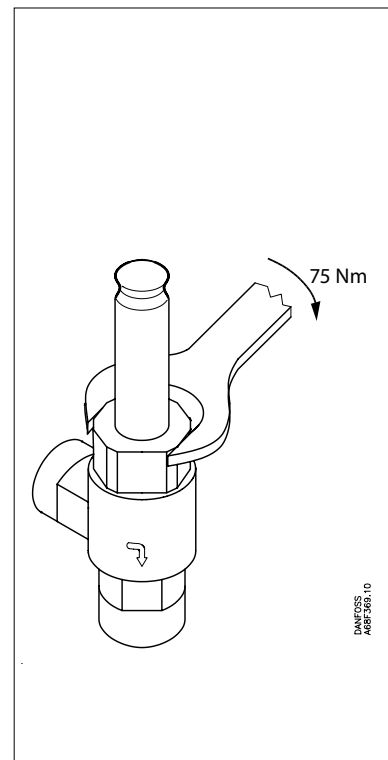
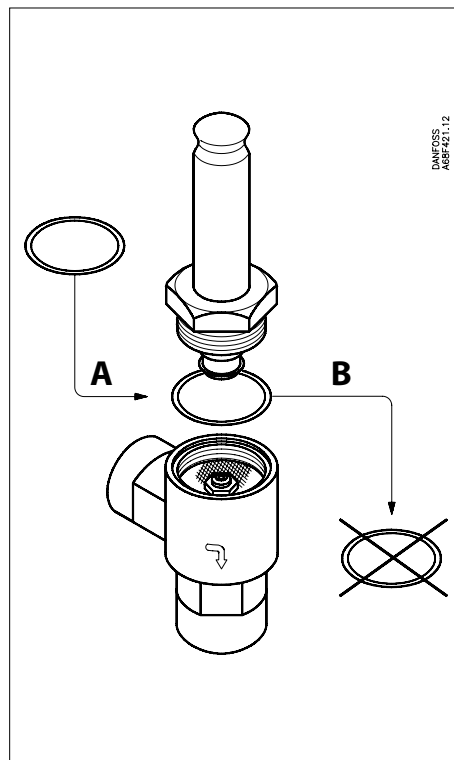
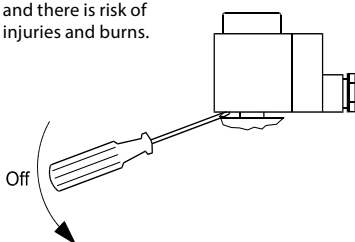
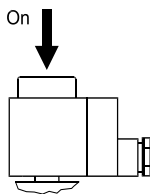


Refrigerants	R744, R22/R407C, R404A/R507, R410A, R134a, R407A, R23. For other refrigerants, please contact Danfoss.	
Max. working pressure	AKVH 10-0	PS = 90 barg / MWP = 1305 psig
	AKVH 10-1	
	AKVH 10-2	
	AKVH 10-3	
	AKVH 10-4	
	AKVH 10-5	
Max. test pressure	PT = 129 barg / 1870 psig	
Max. differential pressure	MOPD = $P_1 - P_2 = 35\text{ bar} / 505\text{ psi}$	



Warning

Never switch on power to the coil when the coil is dismantled from the valve. Otherwise the coil may be damaged and there is risk of injuries and burns.



en-gb	da	de	fr	es
The gasket must be exchanged, if the valve is dismantled	Pakningen skal skiftes, hvis ventilen adskilles	Bei Zerlegung des Ventils muß die Dichtung usgewechselt werden.	Changer le joint chaque fois que la vanne est démontée	Es preciso cambiar la junta si se desmonta la válvula
A: New	A: Ny	A: Neu	A: Neuf	A: Nueva
B: Used	B: Brugt	B: Gebraucht	B: Usagé	B: Usado